

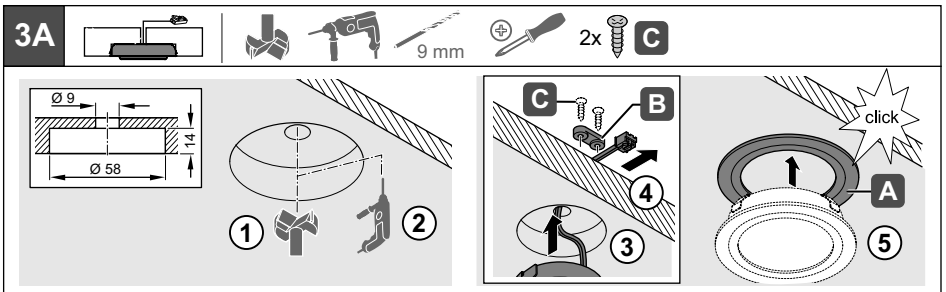
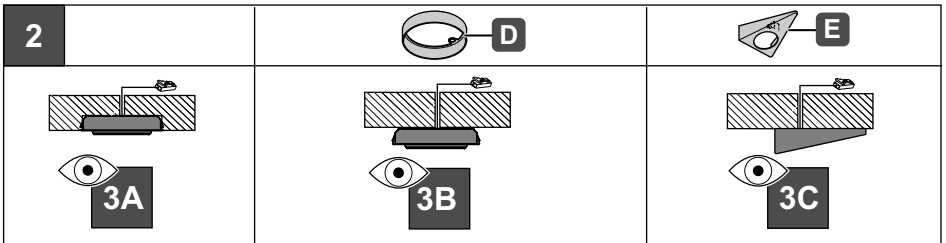
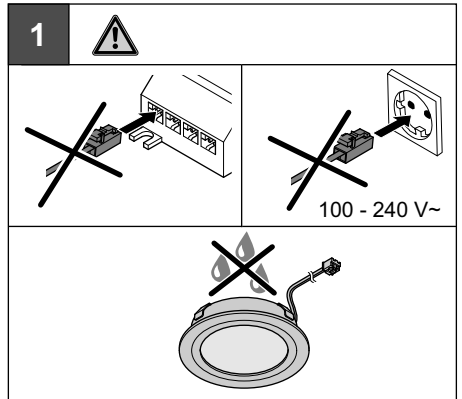
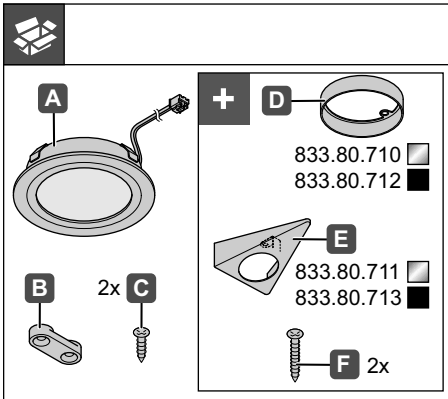


LED 4009

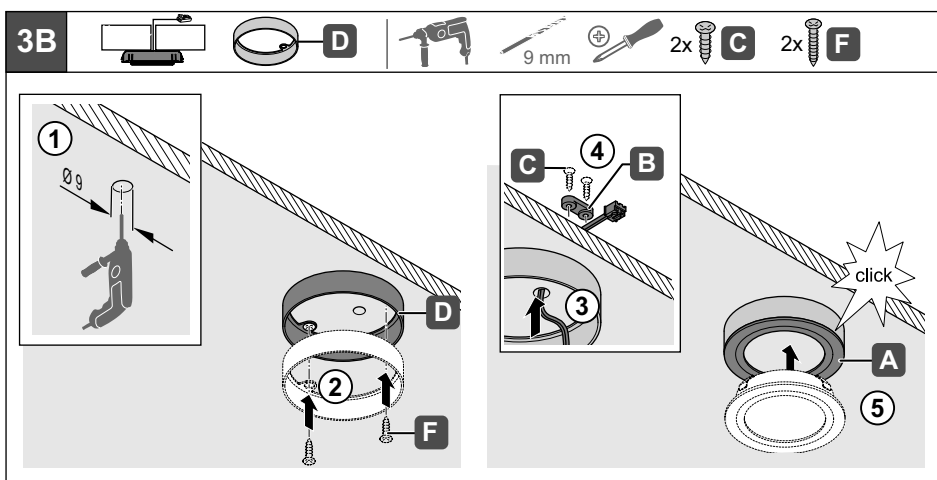
833.78.140 833.78.151
833.78.142 833.78.154

350 mA System	K	W	T _A			
833.78.140	3000 K	3 x 1 W	-20 °C – +35 °C -4 °F – +95 °F	Ø 65 x 15	≥ Ø 75 x 25	
833.78.151						
833.78.142	3000 K					
833.78.154	6000 K					
						833.80.900 833.80.901

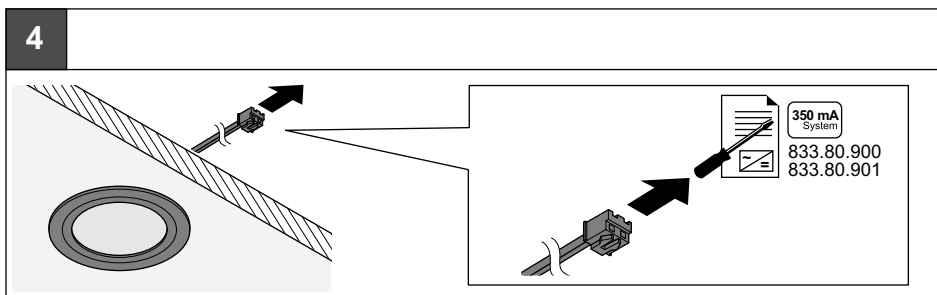
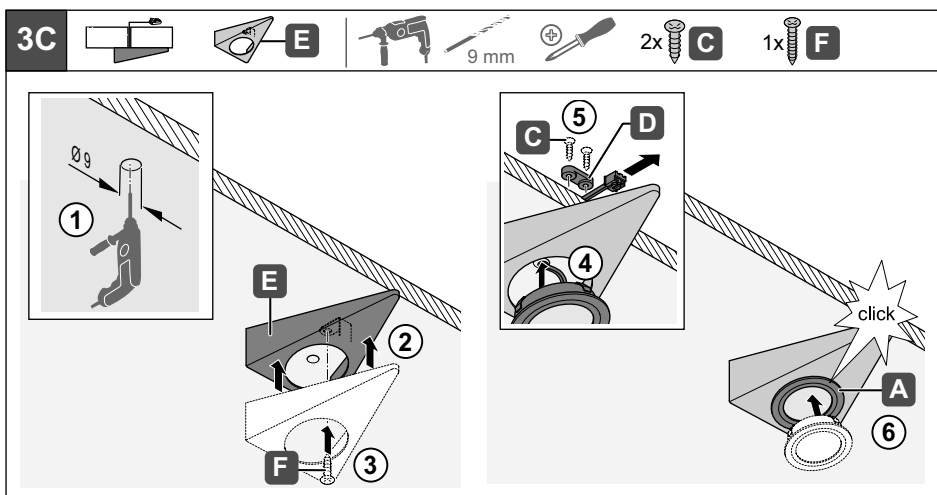
732.28.291



HDE 04/2014



732.26.291



HDE 04/2014